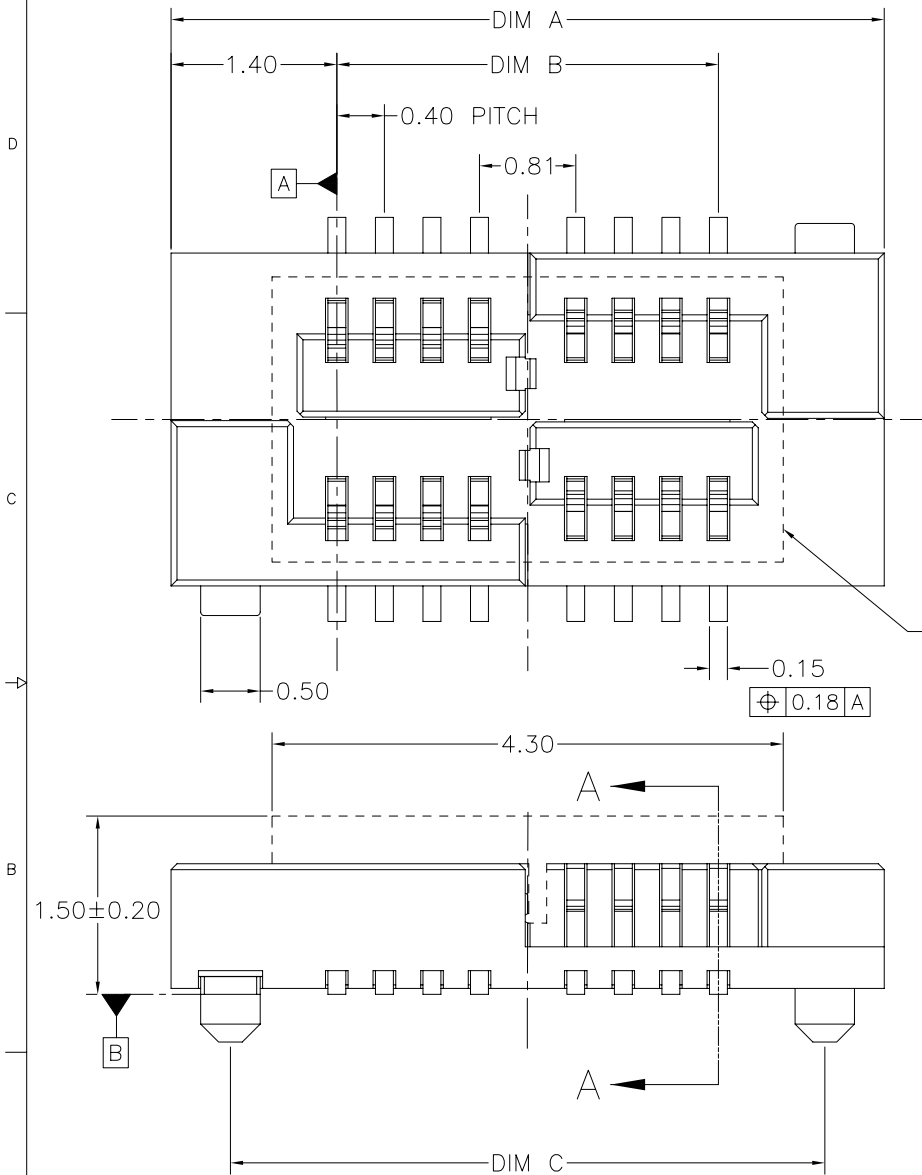


This document is the property of Amphenol Corporation and is delivered on the express condition that it is not to be disclosed, reproduced or used, in whole or in part, for manufacture or sale by anyone other than Amphenol Corporation without its prior consent, & that no right is granted to disclose or to use any information in this document.

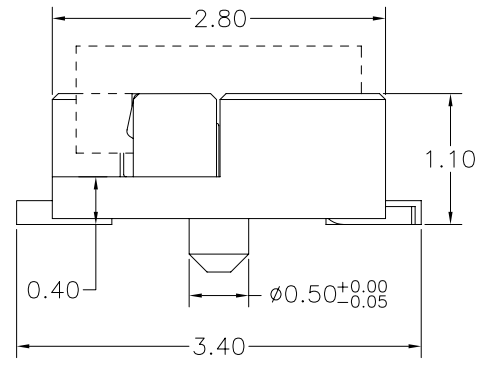
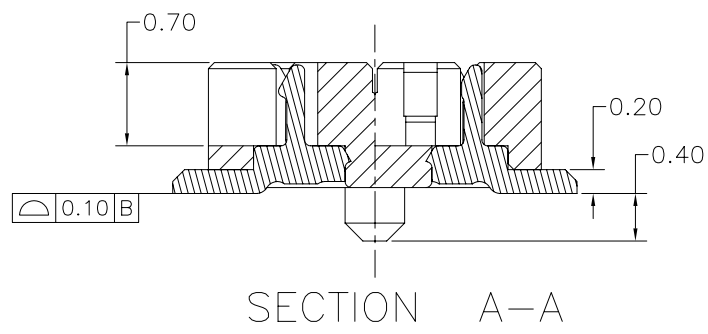
REVISIONS				
SYM	ECN	DESCRIPTION	DATE	APPROVED
A		INITIAL RELEASE	07/01/05	CL LOKE



Area for Pick-and-Place

NOTES:

- MATERIAL  
Housing: PA9T 30% GF (UL94 V-0), Black  
Contact: Beryllium Copper
- FINISH  
Contact: 3u" Au flash plating over Ni
- MATING HEIGHT: 1.5mm
- PACKAGING: Tape and Reel
- All PCB layout tolerance ±0.05 unless stated otherwise

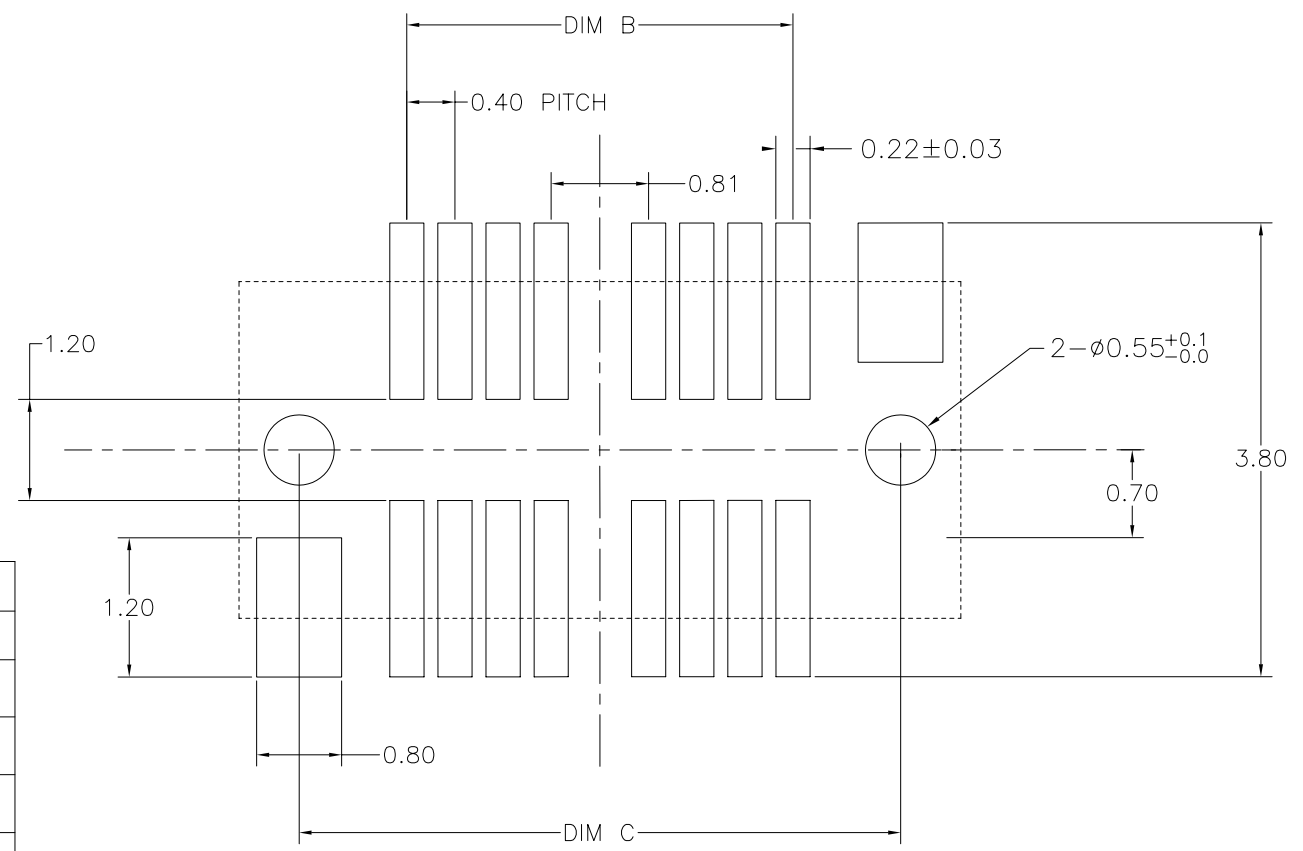


UNLESS OTHERWISE SPECIFIED TOLERANCES U.S. METRIC .X +/- 0.20 .XX +/- 0.10 .XXX +/- FRACTIONS +/- ANGLES +/- 3° FOR MATERIALS AND FINISHES SEE NOTES REMOVE SHARP EDGES DIMENSIONS U.S. INCHES (METRIC) (MM)	MATERIAL AND COLOR	APPROVAL	DATE	Amphenol Amphenol East Asia Limited Manufacturing Operation
	FINISHES	DRAWN	VIVIENNE 07/01/05	
		CHECKED	CL LOKE 07/01/05	TITLE Chessboard BTB Conn (0.4mm Pitch, 1.5mm hgt)
		DRAWING FILE :		SIZE DRAWING NO. A4 SBB-1504-XX10
		ANGLE OF PROJECTION		REV. A
				SCALE NONE SHEET 1 OF 2

CUSTOMER DRAWING

This document is the property of Amphenol Corporation and is delivered on the express condition that it is not to be disclosed, reproduced or used, in whole or in part, for manufacture or sale by anyone other than Amphenol Corporation without its prior consent, & that no right is granted to disclose or to use any information in this document.

REVISIONS				
SYM	ECN	DESCRIPTION	DATE	APPROVED
A		INITIAL RELEASE	06/09/05	CL LOKE



## RECOMMENDED PCB LAYOUT

P/NO	NO. OF POSITION	DIMENSION		
		A	B	C
SBB-1504-0810	8	4.60	1.61	3.60
SBB-1504-1210	12	5.20	2.41	4.20
SBB-1504-1610	16	6.00	3.21	5.00
SBB-1504-2010	20	6.80	4.01	5.80
SBB-1504-2410	24	7.60	4.81	6.60
SBB-1504-2810	28	8.40	5.61	7.20
SBB-1504-3210	32	9.20	6.21	8.00
SBB-1504-3610	36	10.00	7.01	8.80
SBB-1504-4010	40	10.80	7.81	9.60

*CUSTOMER DRAWING*

UNLESS OTHERWISE SPECIFIED <b>TOLERANCES</b> U.S. METRIC .X +/- 0.20 .XX +/- 0.10 .XXX +/- FRACTIONS +/- ANGLES +/- 3° FOR MATERIALS AND FINISHES SEE NOTES REMOVE SHARP EDGES DIMENSIONS U.S. INCHES (METRIC) (MM)	MATERIAL AND COLOR  FINISHES	APPROVAL DRAWN VIVienne 06/09/05 CHECKED CL LOKE 06/09/05 CHECKED	DATE 06/09/05	<b>Amphenol</b>  Amphenol East Asia Limited Manufacturing Operation		
		DRAWING FILE :			TITLE Chessboard BTB Conn (0.4mm Pitch, 1.5mm hgt)	
		ANGLE OF PROJECTION 			SIZE DRAWING NO. A4 SBB-1504-XX10	REV. A
		SCALE NONE			SHEET 2 OF 2	