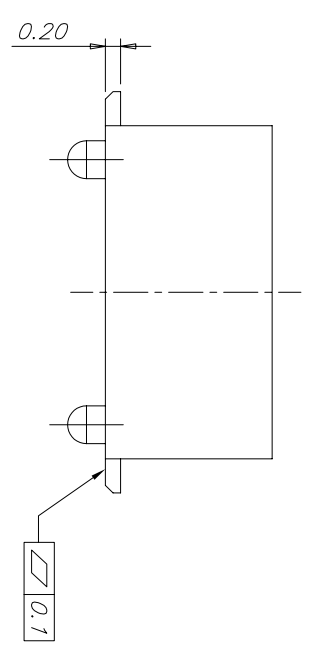
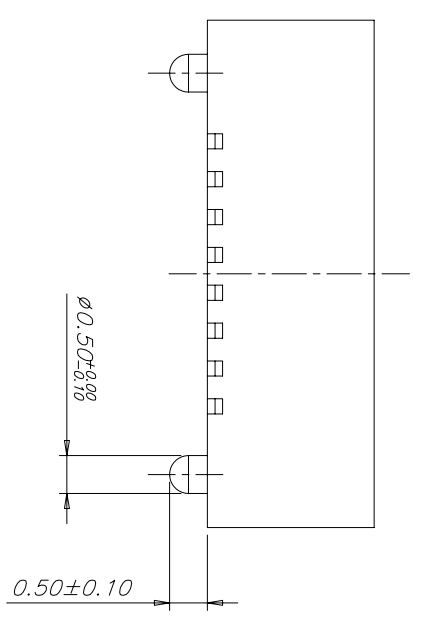
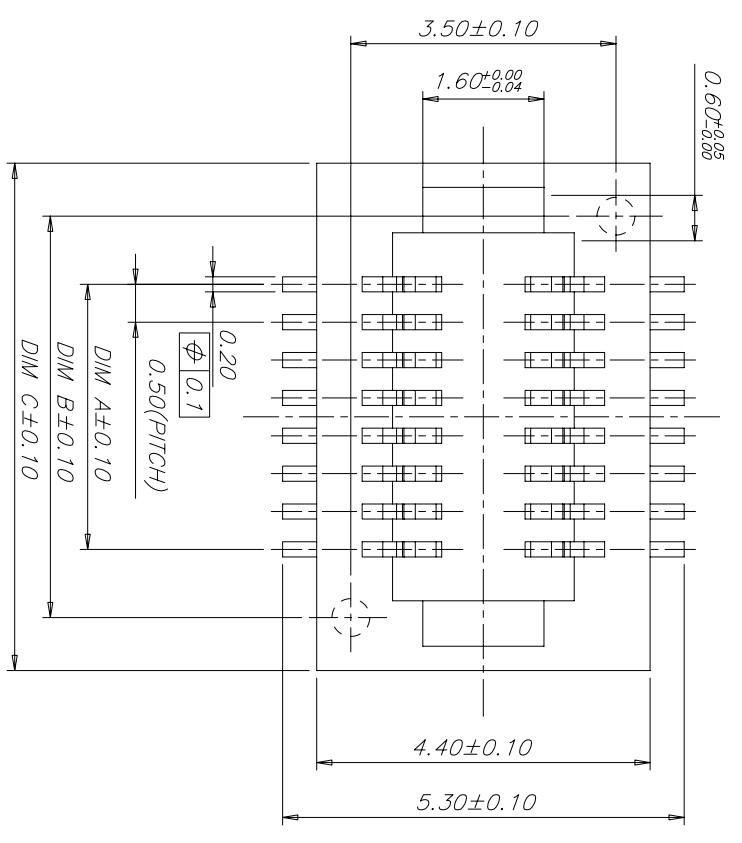


This document is the property of Amphenol Corporation and is delivered on the understanding that it is loaned to the recipient for their use only. It is not to be reproduced, copied, or in part, for manufacture or sale by anyone other than Amphenol Corporation without its prior consent, & that no right is granted to disclose or to use any information in this document.



CUSTOMER DRAWING

REVISIONS		DATE	APPROVED
SYM	ECN	DESCRIPTION	
A		INITIAL RELEASE	C LOKE

Table 1

NO. OF POSITION	DIMENSION		
	A	B	C
08	1.50	3.30	4.70
10	2.00	3.80	5.20
12	2.50	4.30	5.70
14	3.00	4.80	6.20
16	3.50	5.30	6.70
18	4.00	5.80	7.20
20	4.50	6.30	7.70
22	5.00	6.80	8.20
24	5.50	7.30	8.70
26	6.00	7.80	9.20
28	6.50	8.30	9.70
30	7.00	8.80	10.20
32	7.50	9.30	10.70
34	8.00	9.80	11.20
36	8.50	10.30	11.70
38	9.00	10.80	12.20
40	9.50	11.30	12.70
42	10.00	11.80	13.20
44	10.50	12.30	13.70
46	11.00	12.80	14.20
48	11.50	13.30	14.70
50	12.00	13.80	15.20

**Amphenol**

**BTB CONNECTOR (SOCKET, 0.5MM PITCH)**

UNLESS OTHERWISE SPECIFIED TOLERANCES U.S. METRIC

X	+/-	0.30
.XX	+/-	0.20
.XXX	+/-	0.05

FRACTIONS +/-

ANGLES +/- 1°

FOR MATERIALS AND FINISHES SEE NOTES

REMOVE SHARP EDGES

DIMENSIONS U.S. INCHES (METRIC) (MM)

APPROVAL DATE

DRAWN	V SOH	03/04/05
CHECKED	C LOKE	03/04/05

DRAWING FILE :

ANGLE OF PROJECTION

TITLE

SIZE DRAWING NO. A3 SBB-XX05-2XX1

SCALE NONE SHEET 1 OF 2

REV. A

REVISIONS				
SYM	ECN	DESCRIPTION	DATE	APPROVED
A		INITIAL RELEASE	03/04/05	C LOKE

### Ordering Information

SBB - XX 05 - 2 YY 1

BTB Series

Stacking Height

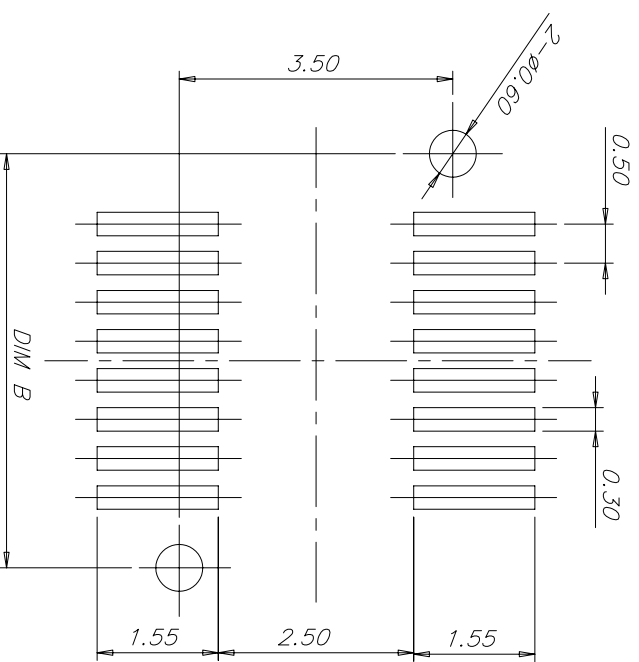
See Table 2

No of Pins

See Table 1

eg. 8 pos: 08

32 pos: 32



RECOMMENDED PCB LAYOUT  
(GENERAL TOL: ±0.05)

Table 2

Stacking Height	XX
2.5mm	25
3.0mm	30
3.5mm	35
4.0mm	40
4.5mm	45
5.0mm	50

### NOTE

- MATERIAL and PLATING
  - HOUSING : THERMOPLASTIC(UL94V-0), BLACK
  - CONTACT TERMINAL : COPPER ALLOY
  - PLATING : Au FLASH OVER Nickel 1.27um min
- INSULATION RESISTANCE : 1000 MΩ min
- TEMPERATURE RANGE : -55°C ~ +85°C
- CONTACT RESISTANCE(INITIAL VALUE) : 60mΩ max

CUSTOMER DRAWING

UNLESS OTHERWISE SPECIFIED		APPROVAL		DATE		Amphenol	
TOLERANCES		DRAWN		03/04/05			
U.S.		V		SOH		BTB CONNECTOR (SOCKET, 0.5MM PITCH)	
METRIC		CHECKED		03/04/05			
X	+/-					TITLE	
.XX	+/-						
.XXX	+/-					DRAWING NO. SBB-XX05-2XX1	
FRACTIONS +/-							
ANGLES +/-	1°	DRAWING FILE :				SCALE	
FOR MATERIALS AND FINISHES SEE NOTES		ANGLE OF PROJECTION				SHEET 2 OF 2	
REMOVE SHARP EDGES							
DIMENSIONS						REV. A	
U.S. INCHES							
(METRIC) (MM)							