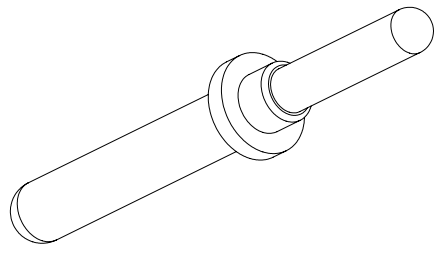
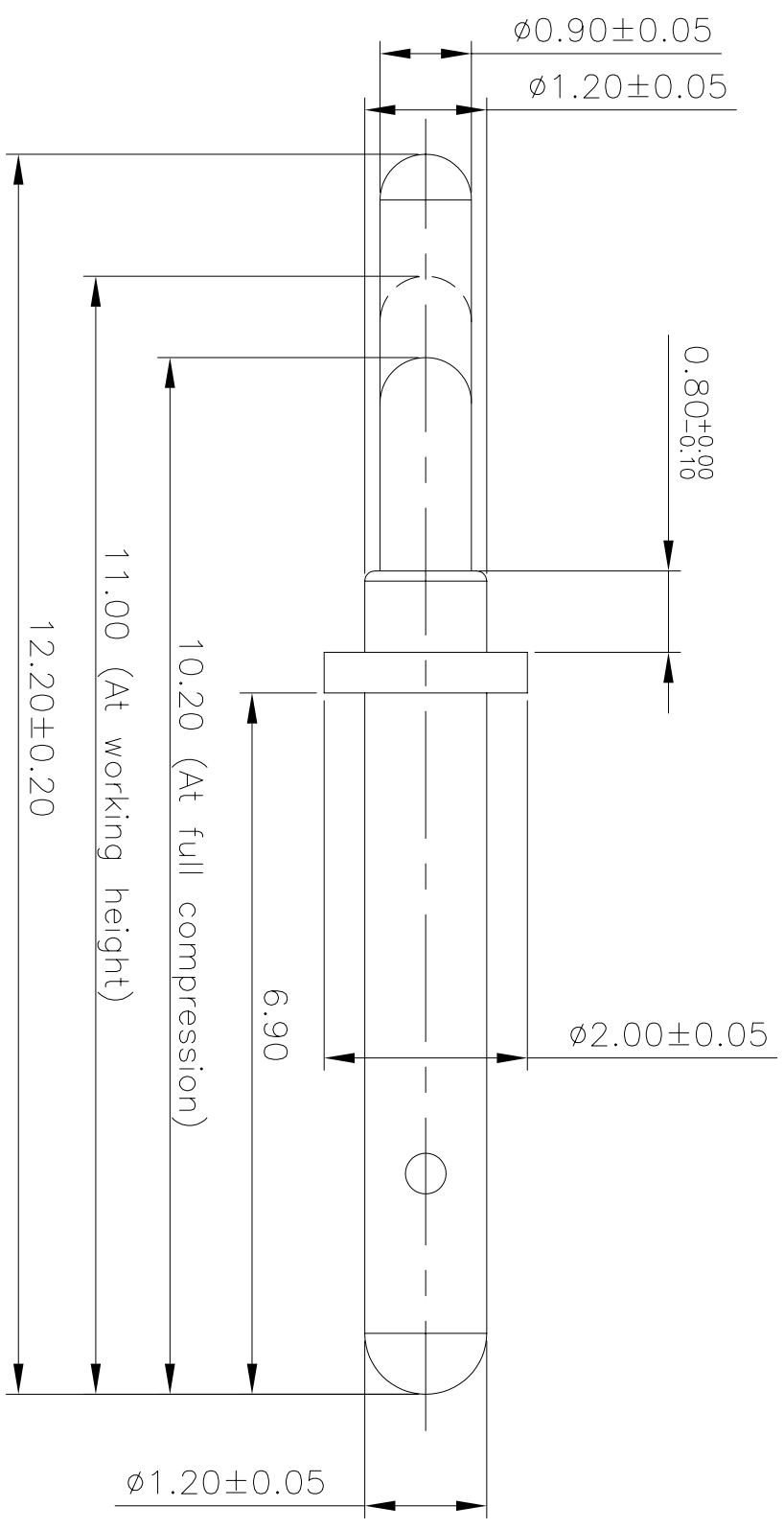


This document is the property of Amphenol Corporation and is delivered on a non-exclusive basis. It is to be used for manufacturing or sales by anyone other than Amphenol Corporation without the prior consent of Amphenol. Amphenol shall not be held responsible for any alterations to this document.

REVISIONS		DATE	APPROVED
SYM	EON		
A	INITIAL RELEASE	08/19/04	C LOKE



SCALE 1:2

- Materials:
- Plunger: Brass, Ni flash underplating, Gold plated 10u”
  - Barrel: Brass, Ni flash underplating, Gold plated 10u”
  - Spring: SUS 304
- Mechanical Characteristics:
- Operating Power of Pin
  - Full Stroke: 2.0mm
  - Spring Force: 150g±20% at 1.2mm stroke
- Electrical Characteristics:
- Contact Resistance: <50mOhm

CUSTOMER DRAWING

UNLESS OTHERWISE SPECIFIED TOLERANCES		MATERIAL AND COLOR	
U.S. METRIC	U.S. METRIC	FINISHES	
X	+/-	/	
XX	+/-		
XXX	+/-		
X.	+/-		
	0.20		
	0.10		
	0.05		
	1"		
APPROVAL		DATE	
DRAWN	V SOH	08/19/04	
CHECKED	C LOKE	08/19/04	
DRAWING FILE :			
ANGLE OF PROJECTION		TITLE	
		Amphenol	
		Amphenol East Asia Limited	
		Manufacturing Operation	
SIZE		DRAWING NO.	
A4		SPG-1270-10	
SCALE		SHEET 1 OF 1	
NONE		REV. A	