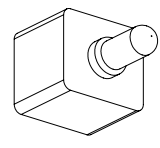
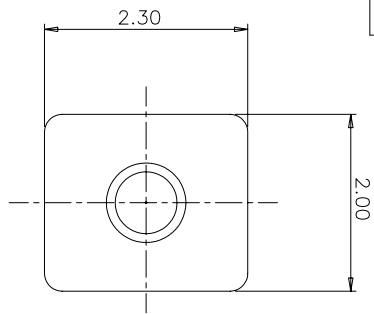
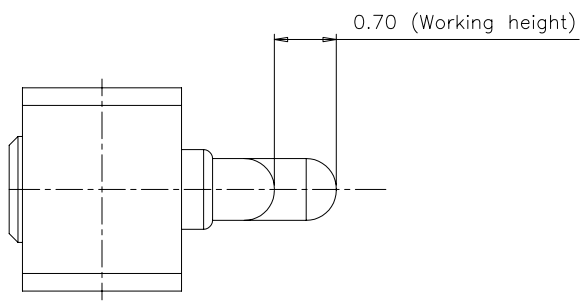
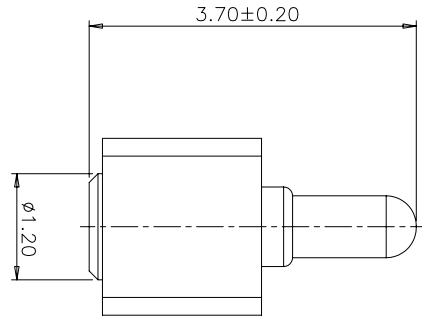


This document is the property of Amphenol Corporation and is loaned on a non-exclusive basis to the recipient for use in the manufacture or assembly of a product. It is not to be reproduced, copied, or disseminated without the prior consent of Amphenol Corporation. Amphenol Corporation shall not be held liable for any errors or omissions in this document.

REVISIONS		DATE	APPROVED
SWM	EON		
A	INITIAL RELEASE	09/30/04	C LOKE



SCALE 1:2



- Materials:
- Housing: LCP 30%GF or equivalent
  - Plunger: Brass, Ni flash underplating, Gold plated 10u"
  - Barrel: Brass, Ni flash underplating, Gold plated 10u"
  - Spring: SUS304

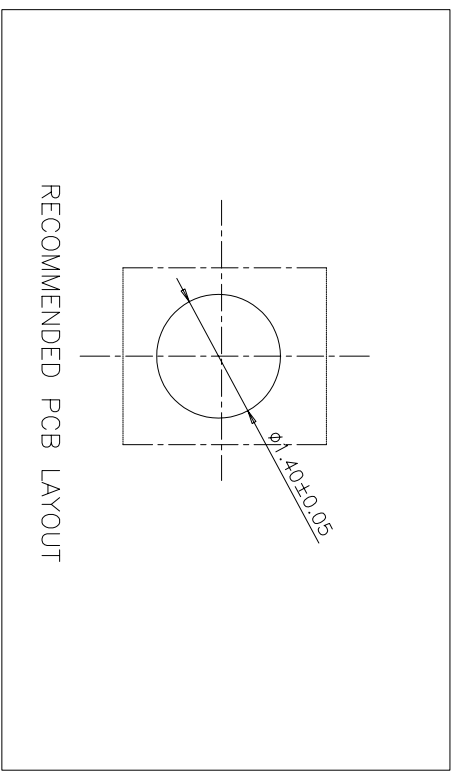
Mechanical Characteristics:

- Operating Power of Pin
- Full Stroke: 1.4mm
- Spring Force: 70g±20% at 0.70mm stroke

Electrical Characteristics:

- Contact Resistance: 50mOhm Max
- Current Rating: 1A
- Voltage Rating: 12VAC (rms)/DC

# CUSTOMER DRAWING



UNLESS OTHERWISE SPECIFIED TOLERANCES		MATERIAL AND COLOR		APPROVAL		DATE		TITLE	
U.S. METRIC				DRAWN		V SOH 09/30/04		Amphenol	
X	+/-	0.20		CHECKED		C LOKE 09/30/04		Amphenol East Asia Limited Manufacturing Operation	
.XX	+/-	0.10		DRAWING FILE :				1 PIN POGO	
.XXX	+/-	0.05		ANGLE OF PROJECTION				SIZE DRAWING NO.	
X.	+/-	1"		FINISHES				A4 SPGA-0070-10	
DIMENSIONS								SCALE	
U.S. (METRIC)		INCHES (MM)						NONE	
								SHEET 1 OF 1	
								REV. A1	