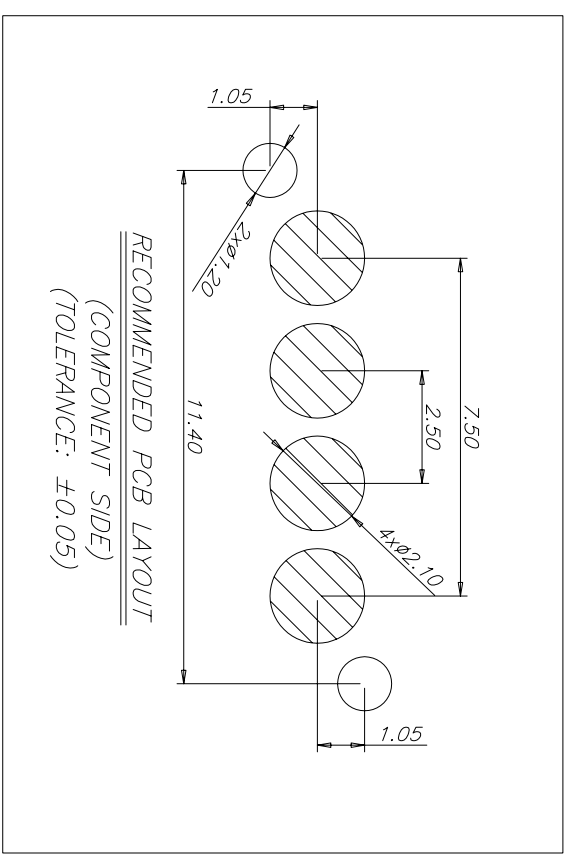
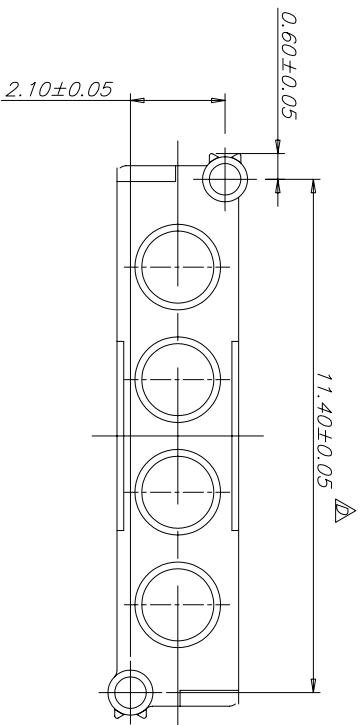
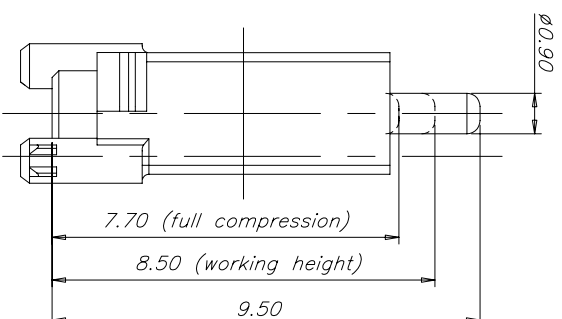
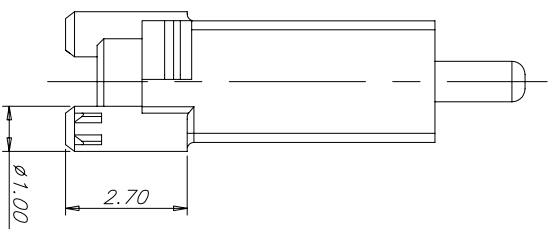
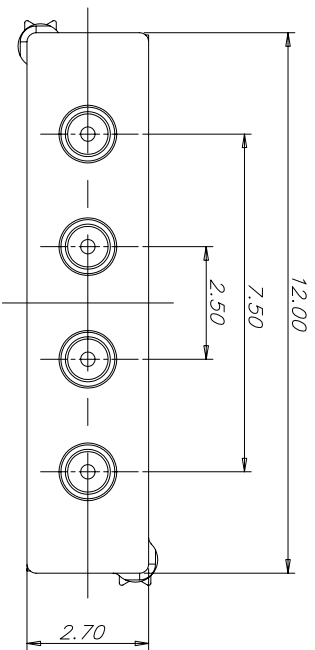


This document is the property of Amphenol Corporation and is delivered on the express condition that it is not to be disclosed, reproduced or used, in whole or in part, for manufacture or sale by anyone other than Amphenol Corporation without its prior consent, & that no right is granted to disclose or to use any information in this document.

REVISIONS		DATE	APPROVED
SYM	ECN	DESCRIPTION	
A		INITIAL RELEASE	04/22/04 C LOKE



NOTE:

1. Characteristics:
 - A. Electrical
 - 1) Operating voltage: 20V max. per pogo
 - 2) Operating current: 2A per pogo
 - 3) Contact resistance: 50mohm max. per pogo
 - B. Mechanical
 - 1) Working stroke travel: 1.00mm
 - 2) Total stroke travel: 1.80mm
 - 3) Spring force: 100gf Min at 1.00mm working level.
 - 4) Mechanical life: 10k cycle min.

No.	Part Description	Material / Finishing
3	Pogo Pin	Brass, 10u" Au over 5u" Ni plating
2	Housing	LCP 30% GF or equivalent
1	Pick/Place Cap	LCP 30% GF or equivalent

Amphenol

Amphenol East Asia Limited
Manufacturing Operation

4P POGO CONNECTOR, 2.5MM PITCH

UNLESS OTHERWISE SPECIFIED		TOLERANCES		APPROVAL		DATE	
U.S.		METRIC		DRAWN		C LOKE 04/22/04	
.X	+/-	0.30		CHECKED	C LOKE	04/22/04	
.XXX	+/-	0.20		CHECKED			
FRACTIONS	+/-	0.10					
ANGLES	+/-	1°					

FOR MATERIALS AND FINISHES		DRAWING FILE :	
REMOVE SHARP EDGES			
DIMENSIONS		ANGLE OF PROJECTION	
U.S.	INCHES		
(METRIC)	(MM)		

SIZE	DRAWING NO.	SCALE	SHEET	OF	REV.
A3	SPGA-1025-40	NONE	1	OF 1	A

Customer drawing